

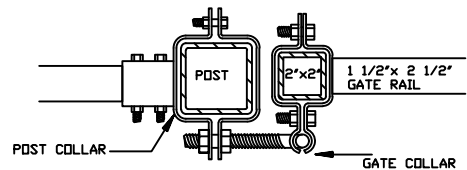
GATE OPENINGS	FROM:	TO:
UP TO 6FT. HIGH	96½" [2451mm]	229½" [5829mm]
7FT. AND HIGHER	96½" [2451mm]	153½" [3899mm]

NOTE: CUSTOM SIZES AVAILABLE UPON REQUEST

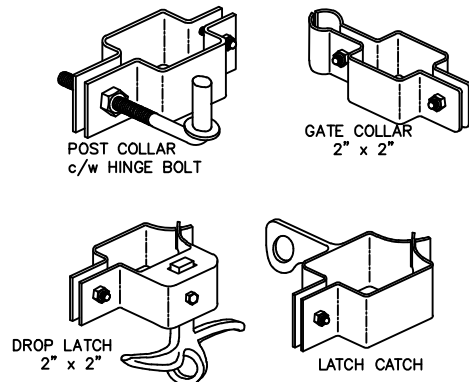
**SPECIFICATIONS:**

- POSTS:** GALVALUME™ COLD FORMED STEEL TUBING  
& PICKETS COATED INTERIOR & EXTERIOR
- RAILS:** ZAM™ COATED COLD FORMED TUBING  
(Zinc, Aluminum, Magnesium)  
COATED INTERIOR & EXTERIOR
- FINISH:** CHROMATE CONVERSION COATING  
ELECTROSTATICALLY APPLIED THERMALLY  
BONDED POLYESTER POWDER COATING  
MINIMUM FILM THICKNESS 2.5 mils
- POSTS:** 76mm x 76mm (3"x3") 14GA, SS40 or 250WALL  
OPTION: 102mm x 102mm (4"x4") OR  
152mm x 152mm (6"x6") AVAILABLE
- POST CAPS:** PYRAMID OR BALL
- RAILS:** 38mm x 64mm (1½" x 2½") 16GA
- UPRIGHTS:** 51mm x 51mm (2" x 2") 14GA
- PICKETS:** 25mm x 25mm (1" x 1") 16GA
- INFILL:** 89mm (3½") CAST IRON RINGS
- WELDS:** STAINLESS STEEL
- COLOUR:** STANDARD COLOURS ARE BLACK, SEMI-BLACK  
BROWN, GREEN, WHITE AND FOREST GREEN.  
(CUSTOM COLOURS AVAILABLE UPON REQUEST)

**SECTION A-A**



**FITTINGS**



COMMENTS: DOUBLE SWING GATE



TITLE

**IRON EAGLE II**  
**SILVER EAGLE III DOUBLE SWING GATE**

DRAWING No.

**S3-D2**

C/W PARTIAL RINGS

CHK'D

DATE: JAN 12, 2019