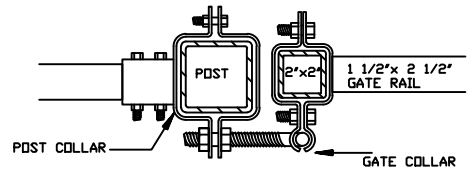


GATE OPENINGS	FROM:	TO:
UP TO 6FT. HIGH	83½" [2121mm]	230½" [5855mm]
7FT. AND HIGHER	83½" [2121mm]	146½" [3721mm]

NOTE: CUSTOM SIZES AVAILABLE UPON REQUEST

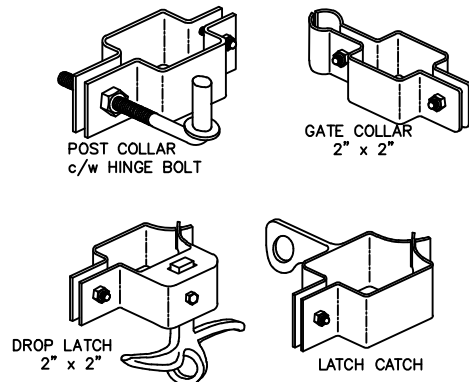
SECTION A-A



SPECIFICATIONS:

- POSTS RAILS: & PICKETS** EXTRUDED MARINE ALUMINUM 6061-T6
PRIME ALUMINUM, NORTH AMERICAN PRODUCED
- FINISH:** SEVEN STAGE ARCHITECTURALLY CERTIFIED
PRETREATMENT AS PER AAMA 2604.
SUPER DURABLE ELECTROSTATICALLY APPLIED
POWDER COAT - MIN THICKNESS 2.5 mils
- POSTS:** 76mm x 76mm (3" x 3"), .188WALL
OPTION: 102mm x 102mm (4" x 4"), .188WALL
- POST CAPS:** PYRAMID OR BALL
- UPRIGHTS:** 51mm x 51mm (2" x 2") .188 WALL
- RAILS:** 38mm x 64mm (1½" x 2½"), .120 WALL
- PICKETS:** 19mm x 38mm (¾" x 1½"), .065 WALL
FLAT TOP c/w UV INSERT, PINCHED ARROW,
MAPLE LEAF OR FLEUR DE LIS
(USE FLAT TOP UNLESS OTHERWISE NOTED)
- WELDS:** ALUMINUM - FULL BEAD ON PUBLIC SIDE
- TACK WELD ON PRIVATE SIDE
- COLOUR:** STANDARD COLOURS ARE BLACK, SEMI-BLACK
BROWN, GREEN, WHITE AND FOREST GREEN
(CUSTOM COLOURS AVAILABLE UPON REQUEST)

FITTINGS



COMMENTS: DOUBLE SWING GATE

	TITLE	IRON EAGLE II ALUMINUM MAJESTIC EAGLE II DOUBLE SWING GATE	DRAWING No. M-AD1
		CHK'D	DATE: JAN 12, 2019