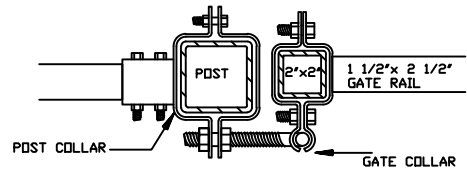


GATE OPENINGS	FROM:	TO:
UP TO 6FT. HIGH	48" [1219mm]	111" [2819mm]
7FT. AND HIGHER	48" [1219mm]	73½" [2019mm]

NOTE: CUSTOM SIZES AVAILABLE UPON REQUEST

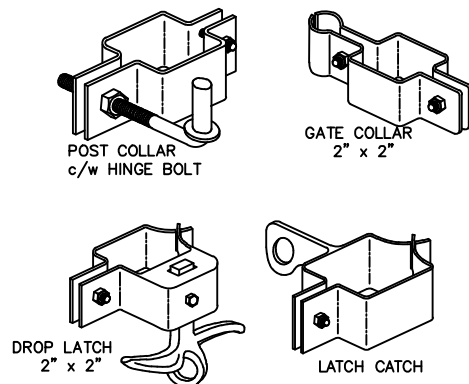
SECTION A-A



SPECIFICATIONS:

- POSTS RAILS: & PICKETS** EXTRUDED MARINE ALUMINUM 6061-T6 PRIME ALUMINUM, NORTH AMERICAN PRODUCED
- FINISH:** SEVEN STAGE ARCHITECTURALLY CERTIFIED PRETREATMENT AS PER AAMA 2604. SUPER DURABLE ELECTROSTATICALLY APPLIED POWDER COAT - MIN THICKNESS 2.5 mils
- POSTS:** 76mm x 76mm (3"x3"), .188WALL
OPTION: 102mm x 102mm (4"x4"), .188WALL
- POST CAPS:** PYRAMID OR BALL
- UPRIGHTS:** 51mm x 51mm (2" x 2") .188 WALL
- RAILS:** 38mm x 64mm (1½" x 2½"), .120 WALL
- PICKETS:** 19mm x 38mm (¾" x 1½"), .065 WALL
FLAT TOP c/w UV INSERT, PINCHED ARROW, MAPLE LEAF OR FLEUR DE LIS (USE FLAT TOP UNLESS OTHERWISE NOTED)
- WELDS:** ALUMINUM - FULL BEAD ON PUBLIC SIDE
- TACK WELD ON PRIVATE SIDE
- COLOUR:** STANDARD COLOURS ARE BLACK, SEMI-BLACK BROWN, GREEN, WHITE AND FOREST GREEN (CUSTOM COLOURS AVAILABLE UPON REQUEST)

FITTINGS



COMMENTS: SINGLE SWING GATE



TITLE
**IRON EAGLE II ALUMINUM
MAJESTIC ELEGANT II SINGLE SWING GATE**

DRAWING No.
ME-AS1

CHK'D
DATE: JAN 12, 2019