

SPECIFICATIONS:

POSTS: GALVALUME™ COLD FORMED STEEL TUBING & PICKETS COATED INTERIOR & EXTERIOR

RAILS: ZAM™ COATED COLD FORMED TUBING (Zinc, Aluminum, Magnesium) COATED INTERIOR & EXTERIOR

FINISH: CHROMATE CONVERSION COATING ELECTROSTATICALLY APPLIED THERMALLY BONDED POLYESTER POWDER COATING MINIMUM FILM THICKNESS 2.5 mils

POSTS: 51mm x 51mm (2"x2"), 14 OR 16GA.
POST CAPS: PYRAMID, BALL, SPIRE OR ACORN

RAILS: 25mm x 25mm (1" x 1"), 14GA.

UPRIGHTS: 25mm x 25mm (1" x 1"), 16GA

PICKETS: 16mm x 16mm (5/8" x 5/8"), 18GA. PINCHED ARROW, MAPLE LEAF, FLEUR DE LIS OR FLAT TOP c/w UV INSERT (USE ARROW UNLESS OTHERWISE NOTED)

INFILL: 89mm SCROLLS

WELDS: STAINLESS STEEL

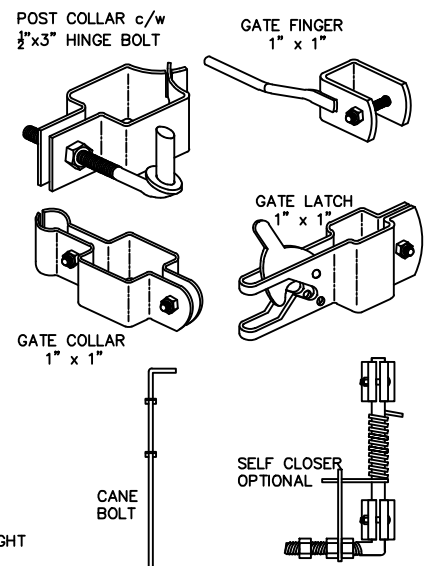
COLOUR: STANDARD COLOURS ARE BLACK, SEMI-BLACK BROWN, GREEN, WHITE AND FOREST GREEN (CUSTOM COLOURS AVAILABLE UPON REQUEST)

AVAILABLE GATE HEIGHTS:

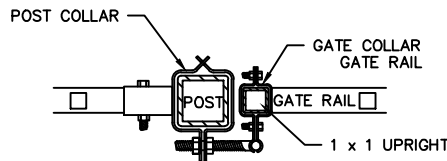
762mm	(30")
914mm	(36")
1067mm	(42")
1219mm	(48")
1524mm	(60")
1829mm	(72")

SHOWN

FITTINGS



SECTION A-A



COMMENTS: DOUBLE SWING GATE



TITLE	IRON EAGLE I	DRAWING No.
	STYLE 2900 DOUBLE SWING GATE	2900-DG
	CHK'D	DATE: JAN 12, 2018