

GATE OPENINGS	FROM:	TO:
7FT. AND HIGHER	49 $\frac{1}{4}$ " [1251mm]	77 $\frac{3}{4}$ " [1975mm]

NOTE: CUSTOM SIZES AVAILABLE UPON REQUEST

**SPECIFICATIONS:**

**POSTS RAILS:** EXTRUDED MARINE ALUMINUM 6061-T6  
**& PICKETS** PRIME ALUMINUM, NORTH AMERICAN PRODUCED

**FINISH:** SEVEN STAGE ARCHITECTURALLY CERTIFIED  
 PRETREATMENT AS PER AAMA 2604.  
 SUPER DURABLE ELECTROSTATICALLY APPLIED  
 POWDER COAT - MIN THICKNESS 2.5 MILS

**POSTS:** 76mm x 76mm (3"x3") .188 WALL  
 OPTION: 102mm x 102mm (4"x4") .188 WALL

**POST CAPS:** PINCHED ARROW OR SECURITY TOP

**UPRIGHTS:** 51mm x 51mm (2" x 2") .188 WALL

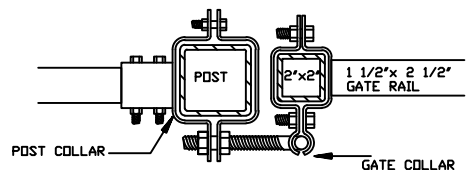
**RAILS:** 38mm x 64mm (1 $\frac{1}{2}$ " x 2 $\frac{1}{2}$ ") .120 WALL

**PICKETS:** 25mm x 25mm (1" x 1") .065 WALL  
 PINCHED ARROW OR SECURITY TOP  
 (USE ARROW UNLESS OTHERWISE NOTED)

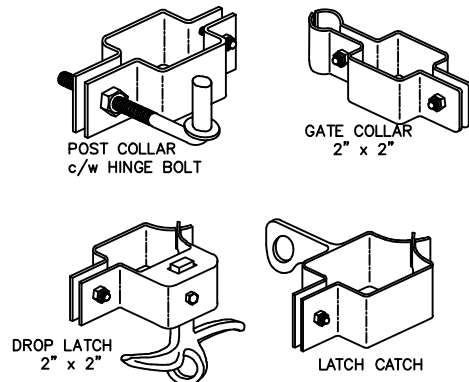
**WELDS:** ALUMINUM - FULL BEAD ON PUBLIC SIDE  
 - TACK WELD ON PRIVATE SIDE

**COLOURS:** STANDARD COLOURS ARE BLACK, SEMI-BLACK,  
 BROWN, GREEN, WHITE AND FOREST GREEN.  
 (CUSTOM COLOURS AVAILABLE UPON REQUEST)

**SECTION A-A**



**FITTINGS**



COMMENTS: SINGLE SWING GATE



TITLE  
**IRON EAGLE III**  
**MAJESTIC SECURITY III SINGLE SWING GATE**

DRAWING No.  
**MS3-AS1**

CHK'D DATE: JAN 12, 2019