

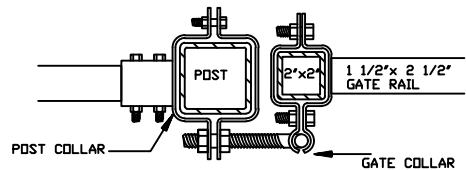
GATE OPENINGS	FROM:	TO:
7FT. AND HIGHER	49 $\frac{1}{4}$ " [1251mm]	77 $\frac{3}{4}$ " [1975mm]

NOTE: CUSTOM SIZES AVAILABLE UPON REQUEST

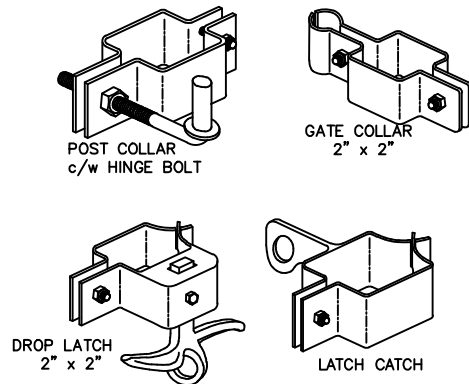
SPECIFICATIONS:

- POSTS: GALVALUME™ COLD FORMED STEEL TUBING**
& PICKETS COATED INTERIOR & EXTERIOR
- RAILS: ZAM™ COATED COLD FORMED TUBING**
(Zinc, Aluminum, Magnesium)
COATED INTERIOR & EXTERIOR
- FINISH: CHROMATE CONVERSION COATING**
ELECTROSTATICALLY APPLIED THERMALLY
BONDED POLYESTER POWDER COATING
MINIMUM FILM THICKNESS 2.5 mils
- POSTS: 76mm x 76mm (3"x3") 14GA, SS40 or 250WALL**
OPTION: 102mm x 102mm (4"x4") OR
152mm x 152mm (6"x6") AVAILABLE
- POST CAPS: PINCHED ARROW OR SECURITY TOP**
- RAILS: 38mm x 64mm (1 $\frac{1}{2}$ " x 2 $\frac{1}{2}$ ") 16GA**
- UPRIGHTS: 51mm x 51mm (2" x 2") 14GA**
- PICKETS: 25mm x 25mm (1" x 1") 16GA**
PINCHED ARROW OR SECURITY TOP
(USE ARROW UNLESS OTHERWISE NOTED)
- INFILL: 89mm (3 $\frac{1}{2}$ ") DIA. CAST IRON RINGS**
- WELDS: STAINLESS STEEL**
- COLOUR: STANDARD COLOURS ARE BLACK, SEMI-BLACK**
BROWN, GREEN, WHITE AND FOREST GREEN.
(CUSTOM COLOURS AVAILABLE UPON REQUEST)

SECTION A-A



FITTINGS



COMMENTS: SINGLE SWING GATE



TITLE

IRON EAGLE II
GOLDEN SECURITY III SINGLE SWING GATE

DRAWING No.

GS3-S1

CHK'D

DATE: JAN 12, 2019