

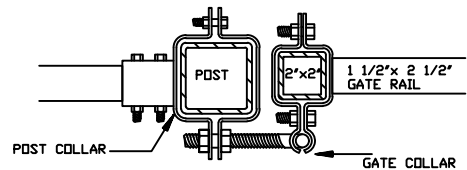
GATE OPENINGS	FROM:	TO:
7FT. AND HIGHER	49½" [1251mm]	77¾" [1975mm]

NOTE: CUSTOM SIZES AVAILABLE UPON REQUEST

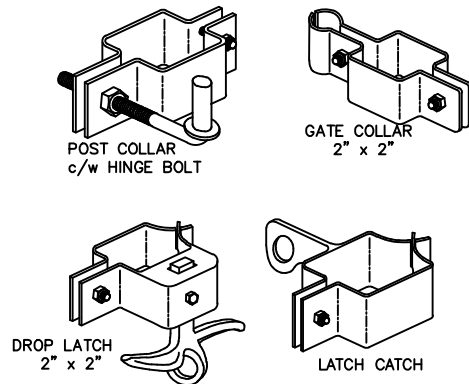
SPECIFICATIONS:

- POSTS: GALVALUME™ COLD FORMED STEEL TUBING
& PICKETS COATED INTERIOR & EXTERIOR
- RAILS: ZAM™ COATED COLD FORMED TUBING
(Zinc, Aluminum, Magnesium)
COATED INTERIOR & EXTERIOR
- FINISH: CHROMATE CONVERSION COATING
ELECTROSTATICALLY APPLIED THERMALLY
BONDED POLYESTER POWDER COATING
MINIMUM FILM THICKNESS 2.5 mils
- POSTS: 76mm x 76mm (3"x3") 14GA, SS40 or 250WALL
OPTION: 102mm x 102mm (4"x4") OR
152mm x 152mm (6"x6") AVAILABLE
- POST CAPS: PINCHED ARROW OR SECURITY TOP
- RAILS: 38mm x 64mm (1½" x 2½") 16GA
- UPRIGHTS: 51mm x 51mm (2" x 2") 14GA
- PICKETS: 25mm x 25mm (1" x 1") 16GA
PINCHED ARROW OR SECURITY TOP
(USE ARROW UNLESS OTHERWISE NOTED)
- INFILL: 89mm (3½") DIA. CAST IRON RINGS
- WELDS: STAINLESS STEEL
- COLOUR: STANDARD COLOURS ARE BLACK, SEMI-BLACK
BROWN, GREEN, WHITE AND FOREST GREEN.
(CUSTOM COLOURS AVAILABLE UPON REQUEST)

SECTION A-A



FITTINGS



COMMENTS: SINGLE SWING GATE



TITLE	IRON EAGLE II	DRAWING No.
GOLDEN SECURITY III SINGLE SWING GATE		GS3-S2
C/W PARTIAL RINGS		
CHK'D	DATE: JAN 12, 2019	