

GATE OPENINGS	FROM:	TO:
7FT. AND HIGHER	49 $\frac{1}{4}$ " [1251mm]	77 $\frac{3}{4}$ " [1975mm]

NOTE: CUSTOM SIZES AVAILABLE UPON REQUEST

SPECIFICATIONS:

POSTS RAILS: EXTRUDED MARINE ALUMINUM 6061-T6
& PICKETS PRIME ALUMINUM, NORTH AMERICAN PRODUCED

FINISH: SEVEN STAGE ARCHITECTURALLY CERTIFIED
 PRETREATMENT AS PER AAMA 2604.
 SUPER DURABLE ELECTROSTATICALLY APPLIED
 POWDER COAT - MIN THICKNESS 2.5 MILS

POSTS: 76mm x 76mm (3"x3") .188 WALL
 OPTION: 102mm x 102mm (4"x4") .188 WALL

POST CAPS: PINCHED ARROW OR SECURITY TOP

UPRIGHTS: 51mm x 51mm (2" x 2") .188 WALL

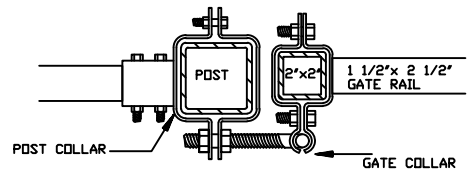
RAILS: 38mm x 64mm (1 $\frac{1}{2}$ " x 2 $\frac{1}{2}$ ") .120 WALL

PICKETS: 25mm x 25mm (1" x 1") .065 WALL
 PINCHED ARROW OR SECURITY TOP
 (USE ARROW UNLESS OTHERWISE NOTED)

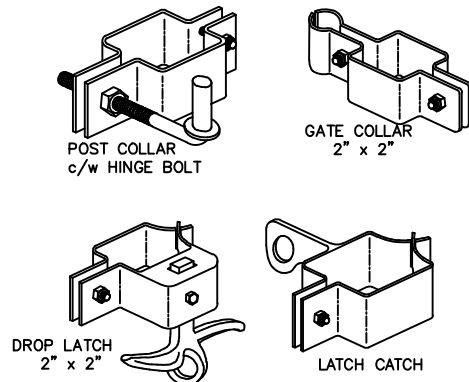
WELDS: ALUMINUM - FULL BEAD ON PUBLIC SIDE
 - TACK WELD ON PRIVATE SIDE

COLOURS: STANDARD COLOURS ARE BLACK, SEMI-BLACK,
 BROWN, GREEN, WHITE AND FOREST GREEN.
 (CUSTOM COLOURS AVAILABLE UPON REQUEST)

SECTION A-A



FITTINGS



COMMENTS: SINGLE SWING GATE



TITLE

IRON EAGLE III
GOLDEN SECURITY III SINGLE SWING GATE

DRAWING No.

GS3-AS1

CHK'D

DATE: JAN 12, 2019