

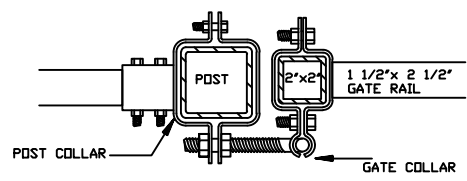
GATE OPENINGS	FROM:	TO:
7FT. AND HIGHER	96½" [2451mm]	153½" [3899mm]

NOTE: CUSTOM SIZES AVAILABLE UPON REQUEST

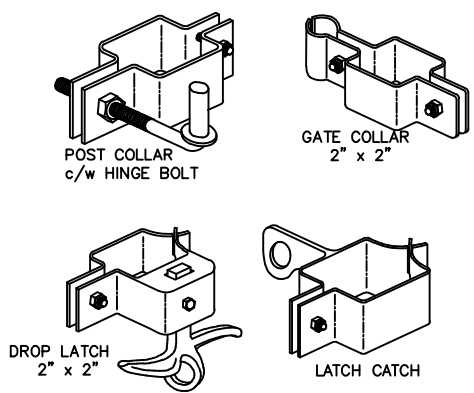
SPECIFICATIONS:

- POSTS RAILS: & PICKETS: EXTRUDED MARINE ALUMINUM 6061-T6
PRIME ALUMINUM, NORTH AMERICAN PRODUCED
- FINISH: SEVEN STAGE ARCHITECTURALLY CERTIFIED
PRETREATMENT AS PER AAMA 2604.
SUPER DURABLE ELECTROSTATICALLY APPLIED
POWDER COAT - MIN THICKNESS 2.5 MILS
- POSTS: 76mm x 76mm (3"x3") .188 WALL
OPTION: 102mm x 102mm (4"x4") .188 WALL
- POST CAPS: PINCHED ARROW OR SECURITY TOP
- UPRIGHTS: 51mm x 51mm (2" x 2") .188 WALL
- RAILS: 38mm x 64mm (1½" x 2½") .120 WALL
- PICKETS: 25mm x 25mm (1" x 1") .065 WALL
PINCHED ARROW OR SECURITY TOP
(USE ARROW UNLESS OTHERWISE NOTED)
- WELDS: ALUMINUM - FULL BEAD ON PUBLIC SIDE
- TACK WELD ON PRIVATE SIDE
- COLOURS: STANDARD COLOURS ARE BLACK, SEMI-BLACK,
BROWN, GREEN, WHITE AND FOREST GREEN.
(CUSTOM COLOURS AVAILABLE UPON REQUEST)

SECTION A-A



FITTINGS



COMMENTS: DOUBLE SWING GATE



TITLE
**IRON EAGLE III ALUMINUM
GOLDEN SECURITY III DOUBLE SWING GATE**

DRAWING No.
GS3-AD1

CHK'D _____ DATE: JAN 12, 2019