

GATE OPENINGS	FROM:	TO:
UP TO 6FT. HIGH	49 $\frac{1}{4}$ " [1251mm]	115 $\frac{3}{4}$ " [2940mm]
7FT. AND HIGHER	49 $\frac{1}{4}$ " [1251mm]	77 $\frac{3}{4}$ " [1975mm]

NOTE: CUSTOM SIZES AVAILABLE UPON REQUEST

**SPECIFICATIONS:**

**POSTS RAILS & PICKETS:** EXTRUDED MARINE ALUMINUM 6061-T6  
PRIME ALUMINUM, NORTH AMERICAN PRODUCED

**FINISH:** SEVEN STAGE ARCHITECTURALLY CERTIFIED  
PRETREATMENT AS PER AAMA 2604.  
SUPER DURABLE ELECTROSTATICALLY APPLIED  
POWDER COAT - MIN THICKNESS 2.5 MILS

**POSTS:** 76mm x 76mm (3"x3") .188 WALL  
OPTION: 102mm x 102mm (4"x4") .188 WALL

**POST CAPS:** PYRAMID OR BALL

**UPRIGHTS:** 51mm x 51mm (2" x 2") .188 WALL

**RAILS:** 38mm x 64mm (1 $\frac{1}{2}$ " x 2 $\frac{1}{2}$ ") .120 WALL

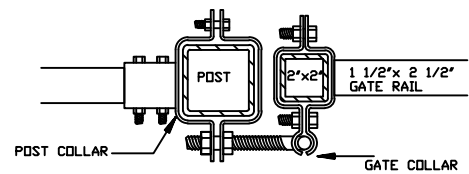
**PICKETS:** 25mm x 25mm (1" x 1") .065 WALL

**INFILL:** 89mm (3 $\frac{1}{2}$ ") DIA. CAST ALUMINUM RINGS

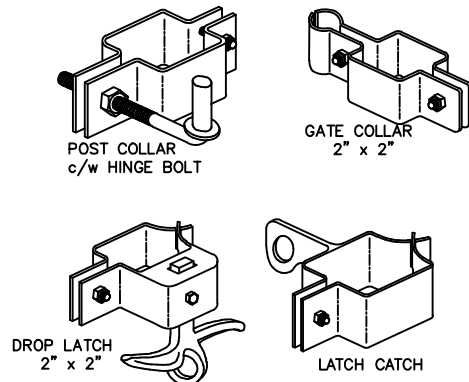
**WELDS:** ALUMINUM - FULL BEAD ON PUBLIC SIDE  
- TACK WELD ON PRIVATE SIDE

**COLOURS:** STANDARD COLOURS ARE BLACK, SEMI-BLACK,  
BROWN, GREEN, WHITE AND FOREST GREEN.  
(CUSTOM COLOURS AVAILABLE UPON REQUEST)

**SECTION A-A**



**FITTINGS**



COMMENTS: SINGLE SWING GATE



TITLE	<b>IRON EAGLE III</b> <b>SILVER EAGLE III SINGLE SWING GATE</b>	DRAWING No.	<b>S3-AS3</b>
	C/W FULL RINGS	CHK'D	DATE: JAN 12, 2019