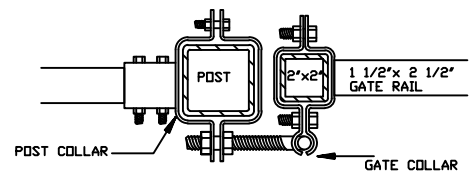


SECTION A-A

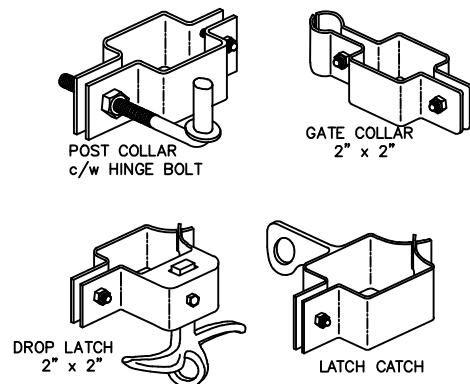
GATE OPENINGS	FROM:	TO:
UP TO 6FT. HIGH	49 $\frac{1}{4}$ " [1251mm]	115 $\frac{3}{4}$ " [2940mm]
7FT. AND HIGHER	49 $\frac{1}{4}$ " [1251mm]	77 $\frac{3}{4}$ " [1975mm]

NOTE: CUSTOM SIZES AVAILABLE UPON REQUEST

SECTION A-A



FITTINGS



SPECIFICATIONS:

- POSTS:** GALVALUME™ COLD FORMED STEEL TUBING COATED INTERIOR & EXTERIOR
- RAILS:** ZAM™ COATED COLD FORMED TUBING (Zinc, Aluminum, Magnesium) COATED INTERIOR & EXTERIOR
- FINISH:** CHROMATE CONVERSION COATING ELECTROSTATICALLY APPLIED THERMALLY BONDED POLYESTER POWDER COATING MINIMUM FILM THICKNESS 2.5 mils
- POSTS:** 76mm x 76mm (3"x3") 14GA, SS40 or 250WALL
OPTION: 102mm x 102mm (4"x4") OR 152mm x 152mm (6"x6") AVAILABLE
- POST CAPS:** PYRAMID OR BALL
- RAILS:** 38mm x 64mm (1 $\frac{1}{2}$ " x 2 $\frac{1}{2}$ ") 16GA
- UPRIGHTS:** 51mm x 51mm (2" x 2") 14GA
- PICKETS:** 25mm x 25mm (1" x 1") 16GA
SPEAR (SP-9Z), FLEUR DE LIS (SP-7Z)
ARROW, FLAT, OR SECURITY TOP
(USE SPEAR SP-9Z UNLESS OTHERWISE NOTED)
- WELDS:** STAINLESS STEEL
- COLOUR:** STANDARD COLOURS ARE BLACK, SEMI-BLACK BROWN, GREEN, WHITE AND FOREST GREEN.
(CUSTOM COLOURS AVAILABLE UPON REQUEST)

COMMENTS: SINGLE SWING GATE



TITLE

IRON EAGLE II
GOLDEN EAGLE III SINGLE SWING GATE

DRAWING No.

G3-S1

CHK'D

DATE: JAN 12, 2019