

GATE OPENINGS	FROM:	TO:
UP TO 6FT. HIGH	96½" [2451mm]	229½" [5829mm]
7FT. AND HIGHER	96½" [2451mm]	153½" [3899mm]

NOTE: CUSTOM SIZES AVAILABLE UPON REQUEST

**SPECIFICATIONS:**

**POSTS RAILS: & PICKETS**    EXTRUDED MARINE ALUMINUM 6061-T6  
PRIME ALUMINUM, NORTH AMERICAN PRODUCED

**FINISH:**    SEVEN STAGE ARCHITECTURALLY CERTIFIED  
PRETREATMENT AS PER AAMA 2604.  
SUPER DURABLE ELECTROSTATICALLY APPLIED  
POWDER COAT – MIN THICKNESS 2.5 MILS

**POSTS:**    76mm x 76mm (3"x3") .188 WALL  
OPTION: 102mm x 102mm (4"x4") .188 WALL

**POST CAPS:**    PYRAMID OR BALL

**UPRIGHTS:**    51mm x 51mm (2" x 2") .188 WALL

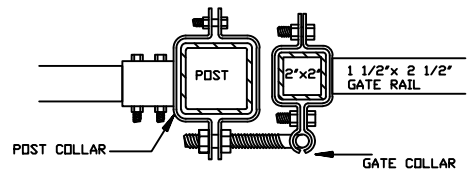
**RAILS:**    38mm x 64mm (1½" x 2½") .120 WALL

**PICKETS:**    25mm x 25mm (1" x 1") .065 WALL

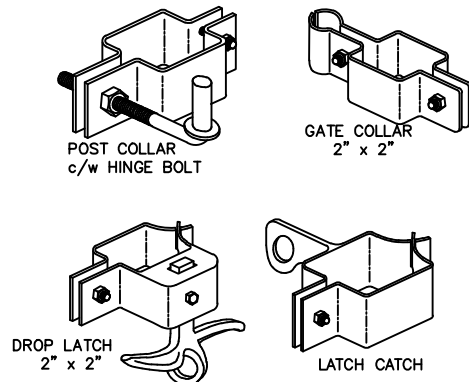
**WELDS:**    ALUMINUM – FULL BEAD ON PUBLIC SIDE  
– TACK WELD ON PRIVATE SIDE

**COLOURS:**    STANDARD COLOURS ARE BLACK, SEMI-BLACK,  
BROWN, GREEN, WHITE AND FOREST GREEN.  
(CUSTOM COLOURS AVAILABLE UPON REQUEST)

**SECTION A-A**



**FITTINGS**



COMMENTS: DOUBLE SWING GATE



TITLE

**IRON EAGLE III ALUMINUM  
ELEGANT EAGLE III DOUBLE SWING GATE**

DRAWING No.

**E3-AD1**

CHK'D

DATE: JAN 12, 2019