

SPECIFICATIONS:

POSTS RAILS: NORTH AMERICAN PRODUCED EXTRUDED
 PICKETS PRIME MARINE ALUMINUM 6061-T6

FINISH: SEVEN STAGE ARCHITECTURALLY CERTIFIED
 PRETREATMENT AS PER AAMA 2604.
 SUPER DURABLE ELECTROSTATICALLY APPLIED
 POWDER COAT - MIN THICKNESS 2.5 mils

POSTS: 51mm x 51mm (2"x2"), .125WALL STANDARD
 (.188 WALL AVAILABLE)

POST CAPS: PYRAMID, BALL, SPIRE OR ACORN

RAILS: 25mm x 25mm (1" x 1"),
 .125WALL (top and bottom)
 .180WALL (sidewall)

UPRIGHTS: 25mm x 25mm (1" x 1") .065WALL

PICKETS: 16mm x 16mm (5/8" x 5/8"), .080 WALL

INFILL: 89mm SCROLLS

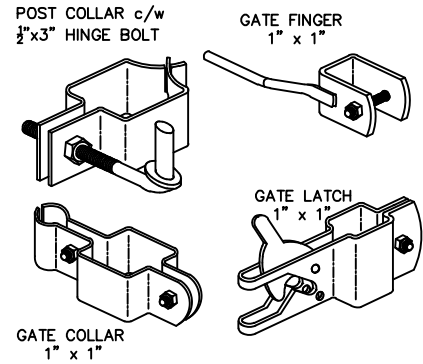
WELDS: ALUMINUM - FULL TACK BOTH SIDES OF PICKET

COLOUR: STANDARD COLOURS ARE BLACK, SEMI-BLACK,
 BROWN, GREEN WHITE & FOREST GREEN
 CUSTOM COLOURS AVAILABLE UPON REQUEST

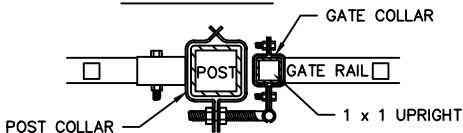
AVAILABLE GATE HEIGHTS:

762mm (30")	
914mm (36")	
1067mm (42")	
1219mm (48")	
1524mm (60")	SHOWN
1829mm (72")	

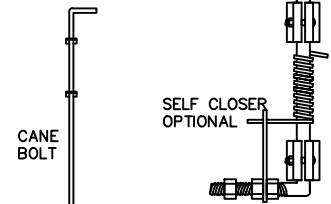
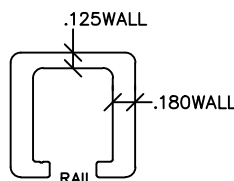
FITTINGS



SECTION A-A



SECTION B-B



COMMENTS: DOUBLE SWING GATE



TITLE

**IRON EAGLE I ALUMINUM SERIES
 STYLE 2915 DOUBLE SWING GATE**

DRAWING No.

A2915-DG

CHK'D

DATE: JAN 12, 2018