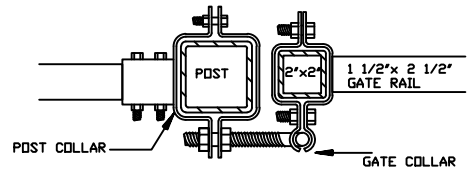


GATE OPENINGS	FROM:	TO:
UP TO 6FT. HIGH	94" [2388mm]	220" [5588mm]
7FT. AND HIGHER	94" [2388mm]	136" [3454mm]

NOTE: CUSTOM SIZES AVAILABLE UPON REQUEST

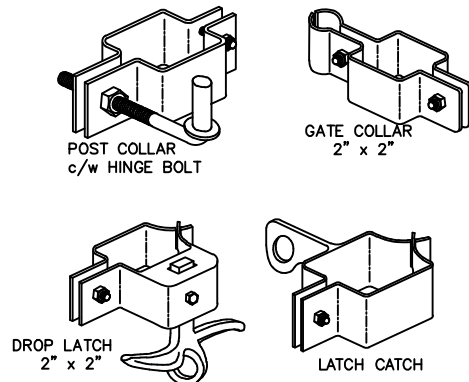
### SECTION A-A



#### SPECIFICATIONS:

- POSTS:** GALVALUME™ COLD FORMED STEEL TUBING  
COATED INTERIOR & EXTERIOR
- RAILS:** ZAM™ COATED COLD FORMED TUBING  
(Zinc, Aluminum, Magnesium)  
COATED INTERIOR & EXTERIOR
- FINISH:** CHROMATE CONVERSION COATING  
ELECTROSTATICALLY APPLIED THERMALLY  
BONDED POLYESTER POWDER COATING  
MINIMUM FILM THICKNESS 2.5 mils
- POSTS:** 76mm x 76mm (3"x3") 14GA, SS40 or 250WALL  
OPTION: 102mm x 102mm (4"x4") OR  
152mm x 152mm (6"x6") AVAILABLE
- POST CAPS:** PYRAMID OR BALL
- RAILS:** 38mm x 64mm (1½" x 2½") 16GA
- UPRIGHTS:** 51mm x 51mm (2" x 2") 14GA
- PICKETS:** 19mm x 38mm (¾" x 1½") 16GA  
PINCHED ARROW, MAPLE LEAF, FLEUR DE LIS  
OR FLAT TOP c/w UV INSERT  
(USE ARROW UNLESS OTHERWISE NOTED)
- WELDS:** STAINLESS STEEL
- COLOUR:** STANDARD COLOURS ARE BLACK, SEMI-BLACK  
BROWN, GREEN, WHITE AND FOREST GREEN.  
(CUSTOM COLOURS AVAILABLE UPON REQUEST)

#### FITTINGS



COMMENTS: DOUBLE SWING GATE



TITLE

IRON EAGLE II  
MAJESTIC ELEGANT EAGLE II DOUBLE SWING GATE

DRAWING No.

ME-D1

CHK'D

DATE: JAN 12, 2019