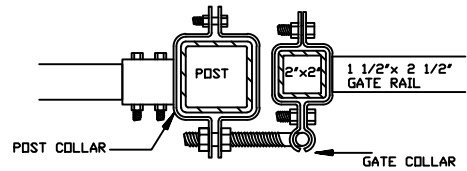


| GATE OPENINGS | FROM: | TO: |
|-----------------|---------------|----------------|
| UP TO 6FT. HIGH | 83½" [2121mm] | 230½" [5855mm] |
| 7FT. AND HIGHER | 83½" [2121mm] | 146½" [3721mm] |

NOTE: CUSTOM SIZES AVAILABLE UPON REQUEST

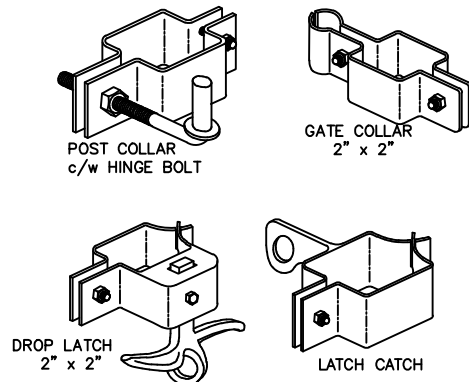
SECTION A-A



SPECIFICATIONS:

- POSTS:** GALVALUME™ COLD FORMED STEEL TUBING COATED INTERIOR & EXTERIOR
- RAILS:** ZAM™ COATED COLD FORMED TUBING (Zinc, Aluminum, Magnesium) COATED INTERIOR & EXTERIOR
- FINISH:** CHROMATE CONVERSION COATING ELECTROSTATICALLY APPLIED THERMALLY BONDED POLYESTER POWDER COATING MINIMUM FILM THICKNESS 2.5 mils
- POSTS:** 76mm x 76mm (3"x3") 14GA, SS40 or 250WALL
OPTION: 102mm x 102mm (4"x4") OR 152mm x 152mm (6"x6") AVAILABLE
- POST CAPS:** PYRAMID OR BALL
- RAILS:** 38mm x 64mm (1½" x 2½") 16GA
- UPRIGHTS:** 51mm x 51mm (2" x 2") 14GA
- PICKETS:** 19mm x 38mm (¾" x 1½") 16GA PINCHED ARROW, MAPLE LEAF, FLEUR DE LIS OR FLAT TOP c/w UV INSERT (USE ARROW UNLESS OTHERWISE NOTED)
- WELDS:** STAINLESS STEEL
- COLOUR:** STANDARD COLOURS ARE BLACK, SEMI-BLACK BROWN, GREEN, WHITE AND FOREST GREEN. (CUSTOM COLOURS AVAILABLE UPON REQUEST)

FITTINGS



COMMENTS: DOUBLE SWING GATE



TITLE
IRON EAGLE II
IMPERIAL EAGLE II DOUBLE SWING GATE

DRAWING No.
I-D1

CHK'D
DATE: JAN 12, 2019