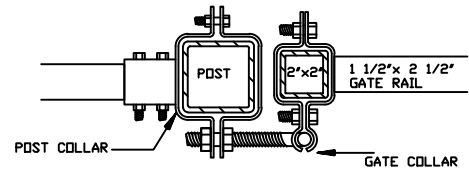


GATE OPENINGS	FROM:	TO:
UP TO 6FT. HIGH	83½" [2121mm]	230½" [5855mm]
7FT. AND HIGHER	83½" [2121mm]	146½" [3721mm]

NOTE: CUSTOM SIZES AVAILABLE UPON REQUEST

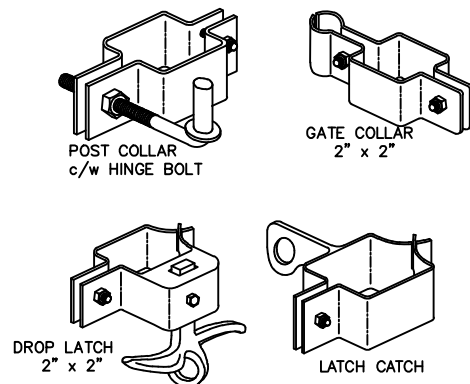
SECTION A-A



SPECIFICATIONS:

- POSTS:** GALVALUME™ COLD FORMED STEEL TUBING
COATED INTERIOR & EXTERIOR
- RAILS:** ZAM™ COATED COLD FORMED TUBING
(Zinc, Aluminum, Magnesium)
COATED INTERIOR & EXTERIOR
- FINISH:** CHROMATE CONVERSION COATING
ELECTROSTATICALLY APPLIED THERMALLY
BONDED POLYESTER POWDER COATING
MINIMUM FILM THICKNESS 2.5 mils
- POSTS:** 76mm x 76mm (3"x3") 14GA, SS40 or 250WALL
OPTION: 102mm x 102mm (4"x4") OR
152mm x 152mm (6"x6") AVAILABLE
- POST CAPS:** PYRAMID OR BALL
- RAILS:** 38mm x 64mm (1½" x 2½") 16GA
- UPRIGHTS:** 51mm x 51mm (2" x 2") 14GA
- PICKETS:** 19mm x 38mm (¾" x 1½") 16GA
PINCHED ARROW, MAPLE LEAF, FLEUR DE LIS
OR FLAT TOP c/w UV INSERT
(USE ARROW UNLESS OTHERWISE NOTED)
- INFILL:** 89mm (3½") DIA. CAST IRON RING
- WELDS:** STAINLESS STEEL
- COLOUR:** STANDARD COLOURS ARE BLACK, SEMI-BLACK
BROWN, GREEN, WHITE AND FOREST GREEN.
(CUSTOM COLOURS AVAILABLE UPON REQUEST)

FITTINGS



COMMENTS: DOUBLE SWING GATE



TITLE	IRON EAGLE II GOLDEN EAGLE II DOUBLE SWING GATE C/W FULL RINGS	DRAWING No.	G-D3
	CHK'D	DATE: JAN 12, 2019	