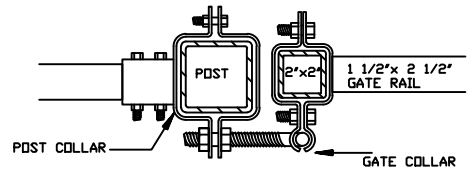


GATE OPENINGS	FROM:	TO:
UP TO 6FT. HIGH	42 ³ / ₄ " [1086mm]	116 ¹ / ₄ " [2953mm]
7FT. AND HIGHER	42 ³ / ₄ " [1086mm]	74 ¹ / ₄ " [1886mm]

NOTE: CUSTOM SIZES AVAILABLE UPON REQUEST

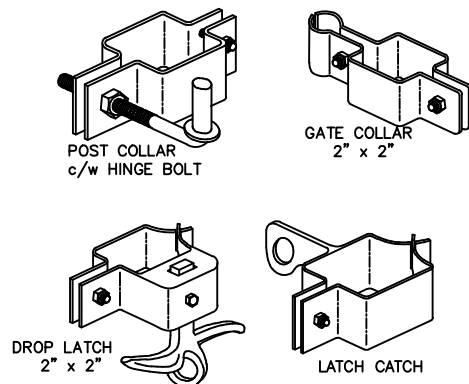
SECTION A-A



SPECIFICATIONS:

- POSTS RAILS: & PICKETS** EXTRUDED MARINE ALUMINUM 6061-T6
PRIME ALUMINUM, NORTH AMERICAN PRODUCED
- FINISH:** SEVEN STAGE ARCHITECTURALLY CERTIFIED
PRETREATMENT AS PER AAMA 2604.
SUPER DURABLE ELECTROSTATICALLY APPLIED
POWDER COAT - MIN THICKNESS 2.5 mils
- POSTS:** 76mm x 76mm (3"x3"), .188WALL
OPTION: 102mm x 102mm (4"x4"), .188WALL
- POST CAPS:** PYRAMID OR BALL
- UPRIGHTS:** 51mm x 51mm (2" x 2") .188 WALL
- RAILS:** 38mm x 64mm (1¹/₂" x 2¹/₂"), .120 WALL
- PICKETS:** 19mm x 38mm (3/4" x 1¹/₂"), .065 WALL
FLAT TOP c/w UV INSERT, PINCHED ARROW,
MAPLE LEAF OR FLEUR DE LIS
(USE FLAT TOP UNLESS OTHERWISE NOTED)
- WELDS:** ALUMINUM - FULL BEAD ON PUBLIC SIDE
- TACK WELD ON PRIVATE SIDE
- COLOUR:** STANDARD COLOURS ARE BLACK, SEMI-BLACK
BROWN, GREEN, WHITE AND FOREST GREEN
(CUSTOM COLOURS AVAILABLE UPON REQUEST)

FITTINGS



COMMENTS: SINGLE SWING GATE



TITLE	IRON EAGLE II ALUMINUM GOLDEN EAGLE II SINGLE SWING GATE	DRAWING No.	G-AS1
-------	---	-------------	-------

CHK'D DATE: JAN 12, 2019