

GATE OPENINGS	FROM:	TO:
UP TO 6FT. HIGH	42 $\frac{3}{4}$ " [1086mm]	116 $\frac{1}{4}$ " [2953mm]
7FT. AND HIGHER	42 $\frac{3}{4}$ " [1086mm]	74 $\frac{1}{4}$ " [1886mm]

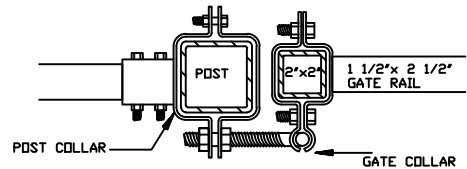
NOTE: CUSTOM SIZES AVAILABLE UPON REQUEST

SPECIFICATIONS:

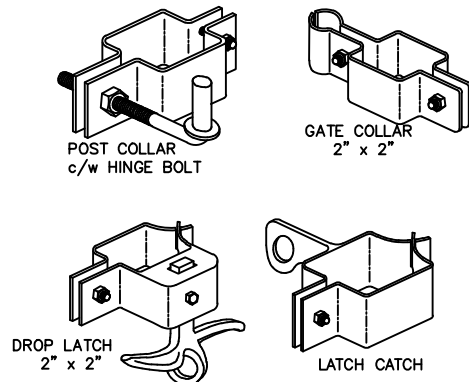
- POSTS:** GALVALUME™ COLD FORMED STEEL TUBING
& PICKETS COATED INTERIOR & EXTERIOR
- RAILS:** ZAM™ COATED COLD FORMED TUBING
(Zinc, Aluminum, Magnesium)
COATED INTERIOR & EXTERIOR
- FINISH:** CHROMATE CONVERSION COATING
ELECTROSTATICALLY APPLIED THERMALLY
BONDED POLYESTER POWDER COATING
MINIMUM FILM THICKNESS 2.5 mils
- POSTS:** 76mm x 76mm (3"x3") 14GA, SS40 or 250WALL

OPTION: 102mm x 102mm (4"x4") OR
152mm x 152mm (6"x6") AVAILABLE
- POST CAPS:** PYRAMID OR BALL
- RAILS:** 38mm x 64mm (1 $\frac{1}{2}$ " x 2 $\frac{1}{2}$ ") 16GA
- UPRIGHTS:** 51mm x 51mm (2" x 2") 14GA
- PICKETS:** 19mm x 38mm ($\frac{3}{4}$ " x 1 $\frac{1}{2}$ ") 16GA
- WELDS:** STAINLESS STEEL
- COLOUR:** STANDARD COLOURS ARE BLACK, SEMI-BLACK
BROWN, GREEN, WHITE AND FOREST GREEN.
(CUSTOM COLOURS AVAILABLE UPON REQUEST)

SECTION A-A



FITTINGS



COMMENTS: SINGLE SWING GATE



TITLE
**IRON EAGLE II
SILVER EAGLE II SINGLE SWING GATE**

DRAWING No.
S-S1

CHK'D _____ DATE: JAN 12, 2019