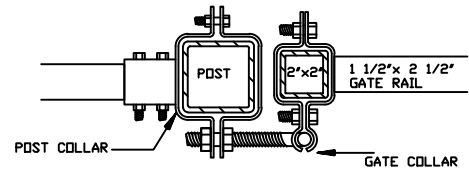


GATE OPENINGS	FROM:	TO:
UP TO 6FT. HIGH	83½" [2121mm]	230½" [5855mm]
7FT. AND HIGHER	83½" [2121mm]	146½" [3721mm]

NOTE: CUSTOM SIZES AVAILABLE UPON REQUEST

SECTION A-A



SPECIFICATIONS:

POSTS RAILS: EXTRUDED MARINE ALUMINUM 6061-T6
& PICKETS PRIME ALUMINUM, NORTH AMERICAN PRODUCED

FINISH: SEVEN STAGE ARCHITECTURALLY CERTIFIED
PRETREATMENT AS PER AAMA 2604.
SUPER DURABLE ELECTROSTATICALLY APPLIED
POWDER COAT - MIN THICKNESS 2.5 mils

POSTS: 76mm x 76mm (3"x3"), .188WALL
OPTION: 102mm x 102mm (4"x4"), .188WALL

POST CAPS: PYRAMID OR BALL

UPRIGHTS: 51mm x 51mm (2" x 2") .188 WALL

RAILS: 38mm x 64mm (1½" x 2½"), .120 WALL

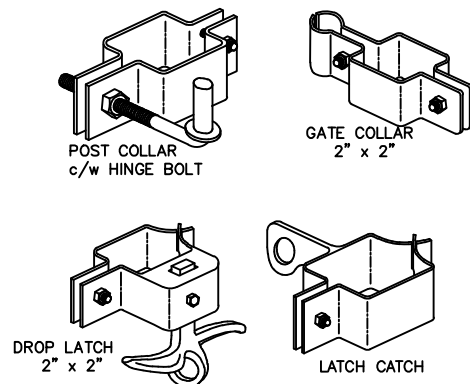
PICKETS: 19mm x 38mm (¾" x 1½"), .065 WALL

INFILL: 89mm (3½") DIA. CAST ALUMINUM RING

WELDS: ALUMINUM - FULL BEAD ON PUBLIC SIDE
- TACK WELD ON PRIVATE SIDE

COLOUR: STANDARD COLOURS ARE BLACK, SEMI-BLACK
BROWN, GREEN, WHITE AND FOREST GREEN
(CUSTOM COLOURS AVAILABLE UPON REQUEST)

FITTINGS



COMMENTS: DOUBLE SWING GATE



TITLE

IRON EAGLE II ALUMINUM
SILVER EAGLE II DOUBLE SWING GATE

DRAWING No.

S-AD3

C/W FULL RINGS

CHK'D

DATE: JAN 12, 2019