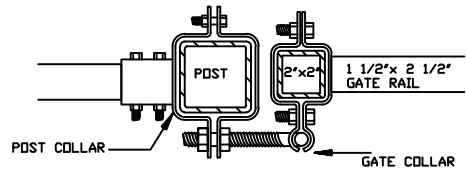


GATE OPENINGS	FROM:	TO:
UP TO 6FT. HIGH	42 ³ / ₄ " [1086mm]	116 ¹ / ₄ " [2953mm]
7FT. AND HIGHER	42 ³ / ₄ " [1086mm]	74 ¹ / ₄ " [1886mm]

NOTE: CUSTOM SIZES AVAILABLE UPON REQUEST

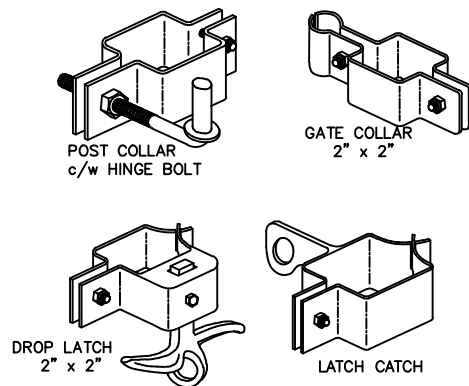
SECTION A-A



SPECIFICATIONS:

- POSTS:** GALVALUME™ COLD FORMED STEEL TUBING
COATED INTERIOR & EXTERIOR
- RAILS:** ZAM™ COATED COLD FORMED TUBING
(Zinc, Aluminum, Magnesium)
COATED INTERIOR & EXTERIOR
- FINISH:** CHROMATE CONVERSION COATING
ELECTROSTATICALLY APPLIED THERMALLY
BONDED POLYESTER POWDER COATING
MINIMUM FILM THICKNESS 2.5 mils
- POSTS:** 76mm x 76mm (3"x3") 14GA, SS40 or 250WALL
OPTION: 102mm x 102mm (4"x4") OR
152mm x 152mm (6"x6") AVAILABLE
- POST CAPS:** PYRAMID OR BALL
- RAILS:** 38mm x 64mm (1¹/₂" x 2¹/₂") 16GA
- UPRIGHTS:** 51mm x 51mm (2" x 2") 14GA
- PICKETS:** 19mm x 38mm (3/4" x 1¹/₂") 16GA
PINCHED ARROW, MAPLE LEAF, FLEUR DE LIS
OR FLAT TOP c/w UV INSERT
(USE ARROW UNLESS OTHERWISE NOTED)
- INFILL:** 89mm (3¹/₂") DIA. CAST IRON RING
- WELDS:** STAINLESS STEEL
- COLOUR:** STANDARD COLOURS ARE BLACK, SEMI-BLACK
BROWN, GREEN, WHITE AND FOREST GREEN.
(CUSTOM COLOURS AVAILABLE UPON REQUEST)

FITTINGS



COMMENTS: SINGLE SWING GATE



TITLE

IRON EAGLE II
GOLDEN EAGLE II SINGLE SWING GATE

DRAWING No.

G-S3

C/W FULL RINGS

CHK'D

DATE: JAN 12, 2019