

**SPECIFICATIONS:**

**POSTS RAILS:** NORTH AMERICAN PRODUCED EXTRUDED PRIME MARINE ALUMINUM 6061-T6

**FINISH:** SEVEN STAGE ARCHITECTURALLY CERTIFIED PRETREATMENT AS PER AAMA 2604. SUPER DURABLE ELECTROSTATICALLY APPLIED POWDER COAT - MIN THICKNESS 2.5 mils

**POSTS:** 51mm x 51mm (2"x2"), .125WALL STANDARD (.188 WALL AVAILABLE)

**POST CAPS:** PYRAMID, BALL, SPIRE OR ACORN

**RAILS:** 25mm x 25mm (1" x 1"), .125WALL (top and bottom) .180WALL (sidewall)

**UPRIGHTS:** 25mm x 25mm (1" x 1") .065WALL

**PICKETS:** 16mm x 16mm (5/8" x 5/8"), .080 WALL

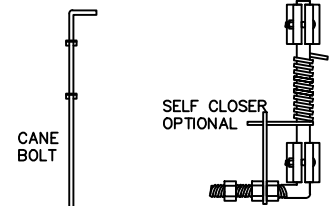
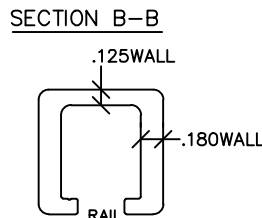
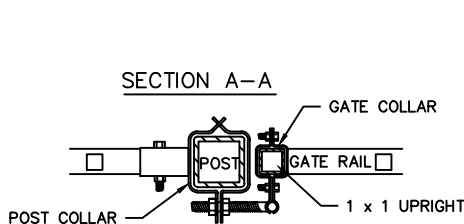
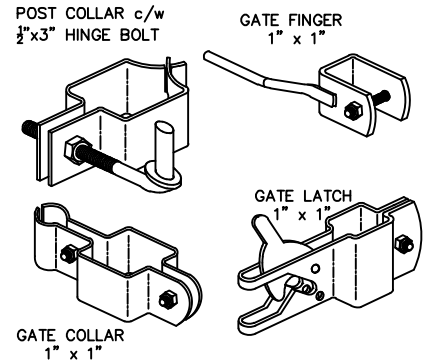
**WELDS:** ALUMINUM - FULL TACK BOTH SIDES OF PICKET

**COLOUR:** STANDARD COLOURS ARE BLACK, SEMI-BLACK, BROWN, GREEN WHITE & FOREST GREEN CUSTOM COLOURS AVAILABLE UPON REQUEST

**AVAILABLE GATE HEIGHTS:**

1092mm (43")  
 1397mm (55")  
 1702mm (67") SHOWN

**FITTINGS**



COMMENTS: DOUBLE SWING GATE



TITLE

**IRON EAGLE I ALUMINUM SERIES  
 STYLE 2500 DOUBLE SWING GATE**

DRAWING No.

**A2500-IDG**

CHK'D

DATE: JAN 12, 2018