

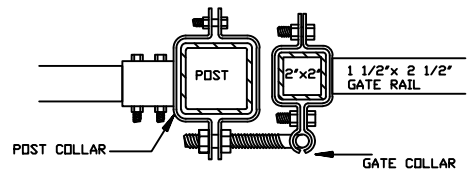
GATE OPENINGS	FROM:	TO:
UP TO 6FT. HIGH	87" [2210mm]	220" [5588mm]
7FT. AND HIGHER	87" [2210mm]	144" [3658mm]

NOTE: CUSTOM SIZES AVAILABLE UPON REQUEST

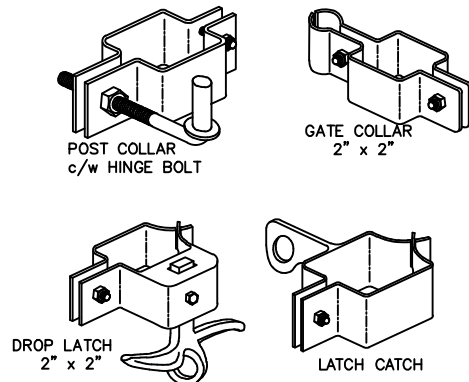
**SPECIFICATIONS:**

- POSTS: GALVALUME™ COLD FORMED STEEL TUBING & PICKETS COATED INTERIOR & EXTERIOR**
- RAILS: ZAM™ COATED COLD FORMED TUBING (Zinc, Aluminum, Magnesium) COATED INTERIOR & EXTERIOR**
- FINISH: CHROMATE CONVERSION COATING ELECTROSTATICALLY APPLIED THERMALLY BONDED POLYESTER POWDER COATING MINIMUM FILM THICKNESS 2.5 mils**
- POSTS: 76mm x 76mm (3"x3") 14GA, SS40 or 250WALL**  
**OPTION: 102mm x 102mm (4"x4") OR 152mm x 152mm (6"x6") AVAILABLE**
- POST CAPS: PYRAMID OR BALL**
- RAILS: 38mm x 64mm (1½" x 2½") 16GA**
- UPRIGHTS: 51mm x 51mm (2" x 2") 14GA**
- PICKETS: 25mm x 25mm (1" x 1") 16GA**
- WELDS: STAINLESS STEEL**
- COLOUR: STANDARD COLOURS ARE BLACK, SEMI-BLACK BROWN, GREEN, WHITE AND FOREST GREEN. (CUSTOM COLOURS AVAILABLE UPON REQUEST)**

**SECTION A-A**



**FITTINGS**



COMMENTS: DOUBLE SWING GATE



TITLE  
**IRON EAGLE II**  
**CANADIAN EAGLE III SINGLE DOUBLE GATE**

DRAWING No.  
**C3-D1**

CHK'D

DATE: JAN 12, 2019