

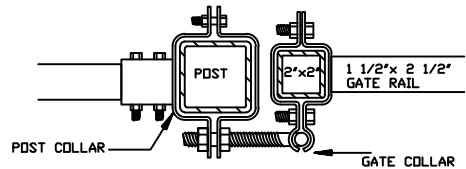
GATE OPENINGS	FROM:	TO:
UP TO 6FT. HIGH	48" [1219mm]	111" [2819mm]
7FT. AND HIGHER	48" [1219mm]	73½" [2019mm]

NOTE: CUSTOM SIZES AVAILABLE UPON REQUEST

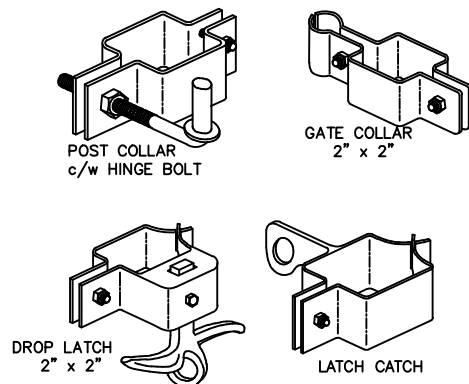
SPECIFICATIONS:

- POSTS: GALVALUME™ COLD FORMED STEEL TUBING & PICKETS COATED INTERIOR & EXTERIOR**
- RAILS: ZAM™ COATED COLD FORMED TUBING (Zinc, Aluminum, Magnesium) COATED INTERIOR & EXTERIOR**
- FINISH: CHROMATE CONVERSION COATING ELECTROSTATICALLY APPLIED THERMALLY BONDED POLYESTER POWDER COATING MINIMUM FILM THICKNESS 2.5 mils**
- POSTS: 76mm x 76mm (3"x3") 14GA, SS40 or 250WALL**
OPTION: 102mm x 102mm (4"x4") OR 152mm x 152mm (6"x6") AVAILABLE
- POST CAPS: PYRAMID OR BALL**
- RAILS: 38mm x 64mm (1½" x 2½") 16GA**
- UPRIGHTS: 51mm x 51mm (2" x 2") 14GA**
- PICKETS: 19mm x 38mm (¾" x 1½") 16GA**
- WELDS: STAINLESS STEEL**
- COLOUR: STANDARD COLOURS ARE BLACK, SEMI-BLACK BROWN, GREEN, WHITE AND FOREST GREEN. (CUSTOM COLOURS AVAILABLE UPON REQUEST)**

SECTION A-A



FITTINGS



COMMENTS: SINGLE SWING GATE



TITLE
IRON EAGLE II
CANADIAN EAGLE II SINGLE SWING GATE

DRAWING No.
C-S1

CHK'D DATE: JAN 12, 2019