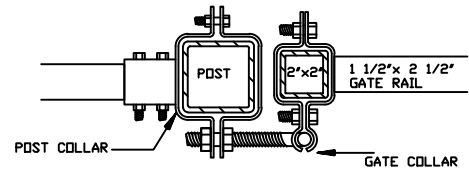


GATE OPENINGS	FROM:	TO:
UP TO 6FT. HIGH	42 $\frac{3}{4}$ " [1086mm]	116 $\frac{1}{4}$ " [2953mm]
7FT. AND HIGHER	42 $\frac{3}{4}$ " [1086mm]	74 $\frac{1}{4}$ " [1886mm]

NOTE: CUSTOM SIZES AVAILABLE UPON REQUEST

SECTION A-A



SPECIFICATIONS:

POSTS RAILS: EXTRUDED MARINE ALUMINUM 6061-T6  
& PICKETS PRIME ALUMINUM, NORTH AMERICAN PRODUCED

FINISH: SEVEN STAGE ARCHITECTURALLY CERTIFIED  
PRETREATMENT AS PER AAMA 2604.  
SUPER DURABLE ELECTROSTATICALLY APPLIED  
POWDER COAT - MIN THICKNESS 2.5 mils

POSTS: 76mm x 76mm (3"x3"), .188WALL  
OPTION: 102mm x 102mm (4"x4"), .188WALL

POST CAPS: PYRAMID OR BALL

UPRIGHTS: 51mm x 51mm (2" x 2") .188 WALL

RAILS: 38mm x 64mm (1 $\frac{1}{2}$ " x 2 $\frac{1}{2}$ "), .120 WALL

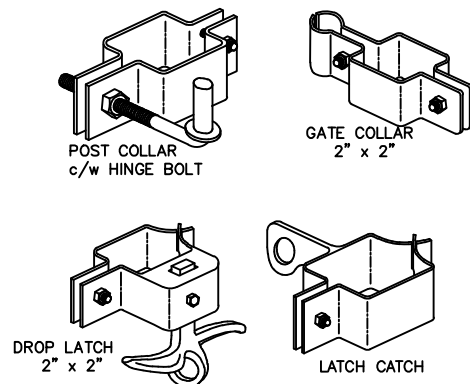
PICKETS: 19mm x 38mm (3/4" x 1 $\frac{1}{2}$ "), .065 WALL

INFILL: 89mm (3 $\frac{1}{2}$ ") DIA. CAST ALUMINUM RING

WELDS: ALUMINUM - FULL BEAD ON PUBLIC SIDE  
- TACK WELD ON PRIVATE SIDE

COLOUR: STANDARD COLOURS ARE BLACK, SEMI-BLACK  
BROWN, GREEN, WHITE AND FOREST GREEN  
(CUSTOM COLOURS AVAILABLE UPON REQUEST)

FITTINGS



COMMENTS: SINGLE SWING GATE



TITLE

IRON EAGLE II ALUMINUM  
SILVER EAGLE II SINGLE SWING GATE  
C/W PARTIAL RINGS

DRAWING No.

S-AS2

CHK'D

DATE: JAN 12, 2019