

SPECIFICATIONS:

POSTS: GALVALUME™ COLD FORMED STEEL TUBING
& PICKETS COATED INTERIOR & EXTERIOR

RAILS: ZAM™ COATED COLD FORMED TUBING
(Zinc, Aluminum, Magnesium)
COATED INTERIOR & EXTERIOR

FINISH: CHROMATE CONVERSION COATING
ELECTROSTATICALLY APPLIED THERMALLY
BONDED POLYESTER POWDER COATING
MINIMUM FILM THICKNESS 2.5 mils

POSTS: 51mm x 51mm (2" x 2"), 14 OR 16GA.
POST CAPS: PYRAMID, BALL, SPIRE OR ACORN

RAILS: 25mm x 25mm (1" x 1"), 14GA.

UPRIGHTS: 25mm x 25mm (1" x 1"), 16GA

PICKETS: 16mm x 16mm (5/8" x 5/8"), 18GA.
PINCHED ARROW, MAPLE LEAF, FLEUR DE LIS
OR FLAT TOP c/w UV INSERT
(USE ARROW UNLESS OTHERWISE NOTED)

INFILL: 89mm SCROLLS

WELDS: STAINLESS STEEL

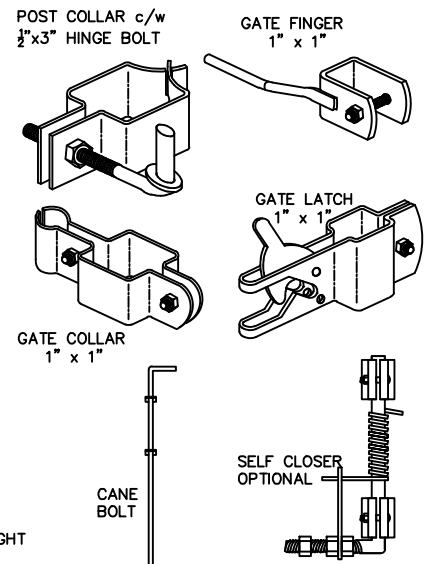
COLOUR: STANDARD COLOURS ARE BLACK, SEMI-BLACK
BROWN, GREEN, WHITE AND FOREST GREEN
(CUSTOM COLOURS AVAILABLE UPON REQUEST)

AVAILABLE GATE HEIGHTS:

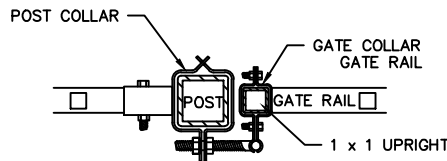
762mm	(30")
914mm	(36")
1067mm	(42")
1219mm	(48")
1524mm	(60")
1829mm	(72")

SHOWN

FITTINGS



SECTION A-A



COMMENTS: DOUBLE SWING GATE



TITLE

IRON EAGLE I
STYLE 2900 DOUBLE SWING GATE

DRAWING No.

2900-DG

CHK'D

DATE: JAN 12, 2018