

**SPECIFICATIONS:**

**POSTS:** GALVALUME™ COLD FORMED STEEL TUBING  
& PICKETS COATED INTERIOR & EXTERIOR

**RAILS:** ZAM™ COATED COLD FORMED TUBING  
(Zinc, Aluminum, Magnesium)  
COATED INTERIOR & EXTERIOR

**FINISH:** CHROMATE CONVERSION COATING  
ELECTROSTATICALLY APPLIED THERMALLY  
BONDED POLYESTER POWDER COATING  
MINIMUM FILM THICKNESS 2.5 mils

**POSTS:** 51mm x 51mm (2"x2"), 14 OR 16GA.

**POST CAPS:** PYRAMID, BALL, SPIRE OR ACORN

**RAILS:** 25mm x 25mm (1" x 1"), 14GA.

**UPRIGHTS:** 25mm x 25mm (1" x 1"), 16GA

**PICKETS:** 16mm x 16mm (5/8" x 5/8"), 18GA.

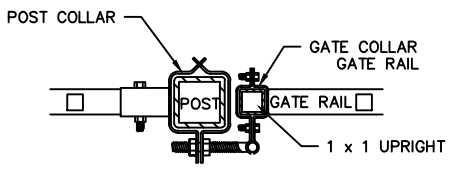
**WELDS:** STAINLESS STEEL

**COLOUR:** STANDARD COLOURS ARE BLACK, SEMI-BLACK  
BROWN, GREEN, WHITE AND FOREST GREEN  
(CUSTOM COLOURS AVAILABLE UPON REQUEST)

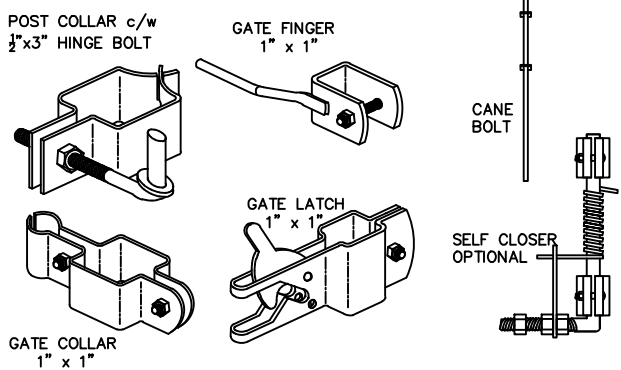
**AVAILABLE GATE HEIGHTS:**

991mm (39")  
1295mm (51")  
1600mm (63") SHOWN  
1905mm (75")

**SECTION A-A**



**FITTINGS**



COMMENTS: DOUBLE SWING GATE



TITLE

**IRON EAGLE I**  
**STYLE 2200 DOUBLE SWING GATE**

DRAWING No.  
**2200-DG**

CHK'D

DATE: JAN 12, 2018