

NOTE 1. ARROW TOP



OPTIONS:

MAPLE LEAF



FLEUR DE LIS



FLAT TOP c/w UV INSERT



GATE TOP OPTIONS



ARCHED PICKET



CURVED RAIL



S - CURVED RAIL

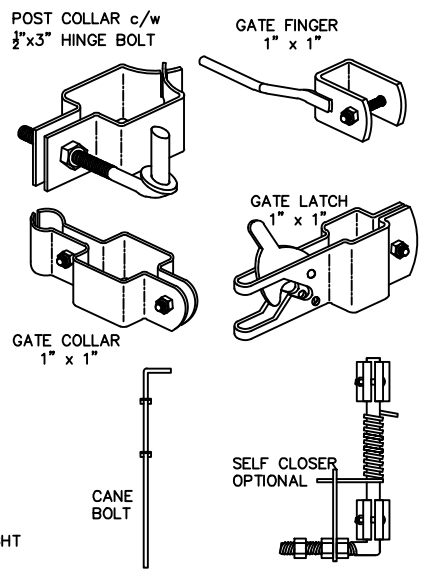
SPECIFICATIONS:

- POSTS: GALVALUME™ COLD FORMED STEEL TUBING & PICKETS COATED INTERIOR & EXTERIOR
- RAILS: ZAM™ COATED COLD FORMED TUBING (Zinc, Aluminum, Magnesium) COATED INTERIOR & EXTERIOR
- FINISH: CHROMATE CONVERSION COATING ELECTROSTATICALLY APPLIED THERMALLY BONDED POLYESTER POWDER COATING MINIMUM FILM THICKNESS 2.5 mils
- POSTS: 51mm x 51mm (2"x2"), 14 OR 16GA.
- POST CAPS: PYRAMID, BALL, SPIRE OR ACORN
- RAILS: 25mm x 25mm (1" x 1"), 14GA.
- UPRIGHTS: 25mm x 25mm (1" x 1"), 16GA
- PICKETS: 16mm x 16mm (5/8" x 5/8"), 18GA. PINCHED ARROW, MAPLE LEAF, FLEUR DE LIS OR FLAT TOP c/w UV INSERT (USE ARROW UNLESS OTHERWISE NOTED)
- WELDS: STAINLESS STEEL
- COLOUR: STANDARD COLOURS ARE BLACK, SEMI-BLACK BROWN, GREEN, WHITE AND FOREST GREEN (CUSTOM COLOURS AVAILABLE UPON REQUEST)

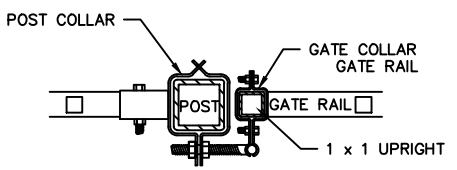
AVAILABLE GATE HEIGHTS:

- 762mm (30")
 - 914mm (36")
 - 1067mm (42")
 - 1219mm (48")
 - 1524mm (60")
 - 1829mm (72")
- SHOWN

FITTINGS



SECTION A-A



COMMENTS: DOUBLE SWING GATE



TITLE
**IRON EAGLE I
STYLE 2000 DOUBLE SWING GATE**

DRAWING No.
2000-IDG

CHK'D DATE: JAN 12, 2018