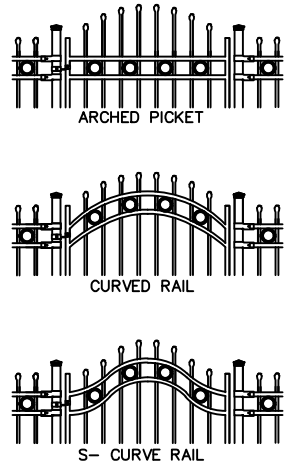


**SPECIFICATIONS:**

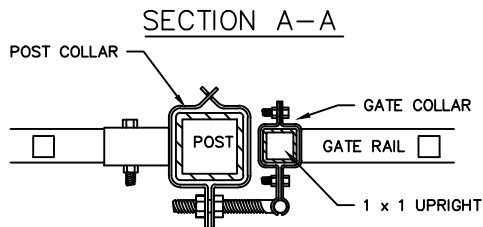
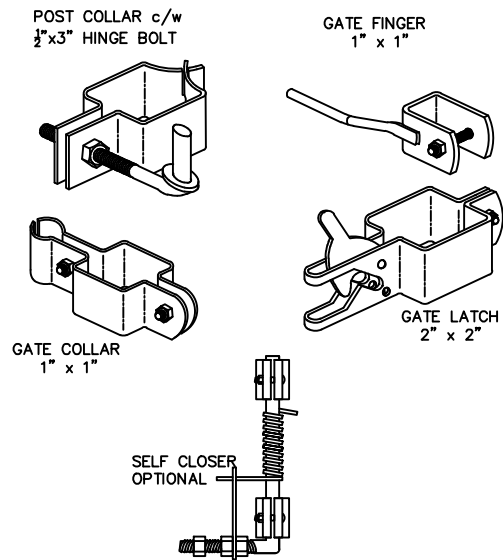
- POSTS:** GALVALUME™ COLD FORMED STEEL TUBING  
& PICKETS COATED INTERIOR & EXTERIOR
- RAILS:** ZAM™ COATED COLD FORMED TUBING  
(Zinc, Aluminum, Magnesium)  
COATED INTERIOR & EXTERIOR
- FINISH:** CHROMATE CONVERSION COATING  
ELECTROSTATICALLY APPLIED THERMALLY  
BONDED POLYESTER POWDER COATING  
MINIMUM FILM THICKNESS 2.5 mils
- POSTS:** 51mm x 51mm (2"x2"), 14 OR 16GA.
- POST CAPS:** PYRAMID, BALL, SPIRE OR ACORN
- RAILS:** 25mm x 25mm (1" x 1"), 14GA.
- UPRIGHTS:** 25mm x 25mm (1" x 1"), 16GA
- PICKETS:** 16mm x 16mm (5/8" x 5/8"), 18GA.  
PINCHED ARROW, MAPLE LEAF, FLEUR DE LIS  
OR FLAT TOP c/w UV INSERT  
(USE ARROW UNLESS OTHERWISE NOTED)
- INFILL:** 89mm DIA. CAST IRON RING OR DIAMOND  
(USE RINGS UNLESS OTHERWISE NOTED)
- WELDS:** STAINLESS STEEL
- COLOUR:** STANDARD COLOURS ARE BLACK, SEMI-BLACK  
BROWN, GREEN, WHITE AND FOREST GREEN  
(CUSTOM COLOURS AVAILABLE UPON REQUEST)

**AVAILABLE GATE HEIGHTS:**

- 762mm (30")
- 914mm (36")
- 1067mm (42")
- 1219mm (48")
- 1524mm (60") SHOWN
- 1829mm (72")



**FITTINGS**



COMMENTS: SINGLE SWING GATE



TITLE

**IRON EAGLE I**  
**STYLE 2160 SINGLE SWING GATE**

DRAWING No.

**2160-SG**

CHK'D

DATE: JAN 12, 2018