

**SPECIFICATIONS:**

**POSTS:** GALVALUME™ COLD FORMED STEEL TUBING & PICKETS COATED INTERIOR & EXTERIOR

**RAILS:** ZAM™ COATED COLD FORMED TUBING (Zinc, Aluminum, Magnesium) COATED INTERIOR & EXTERIOR

**FINISH:** CHROMATE CONVERSION COATING ELECTROSTATICALLY APPLIED THERMALLY BONDED POLYESTER POWDER COATING MINIMUM FILM THICKNESS 2.5 mils

**POSTS:** 51mm x 51mm (2"x2"), 14 OR 16GA.  
**POST CAPS:** PYRAMID, BALL, SPIRE OR ACORN

**RAILS:** 25mm x 25mm (1" x 1"), 14GA.

**UPRIGHTS:** 25mm x 25mm (1" x 1"), 16GA

**PICKETS:** 12.5mm x 12.5mm (1/2" x 1/2"), 18GA. PINCHED ARROW OR FLAT TOP c/w UV INSERT (USE ARROW UNLESS OTHERWISE NOTED)

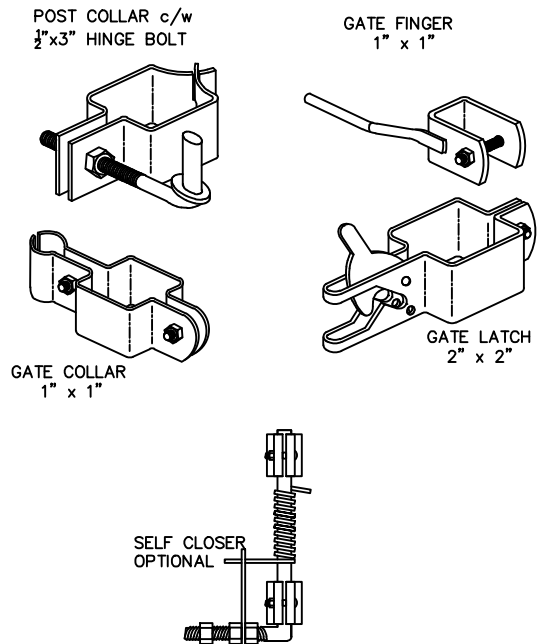
**WELDS:** STAINLESS STEEL

**COLOUR:** STANDARD COLOURS ARE BLACK, SEMI-BLACK BROWN, GREEN, WHITE AND FOREST GREEN (CUSTOM COLOURS AVAILABLE UPON REQUEST)

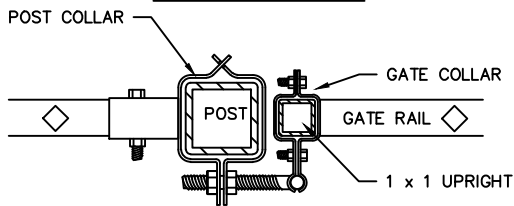
**AVAILABLE GATE HEIGHTS:**

762mm (30")  
 914mm (36")  
 1067mm (42")  
 1219mm (48")  
 1524mm (60") SHOWN  
 1829mm (72")

**FITTINGS**



**SECTION A-A**



COMMENTS: SINGLE SWING GATE



TITLE

**IRON EAGLE TRADITIONAL  
 AMERICAN TRADITIONAL SINGLE SWING GATE**

DRAWING No.

**ATSG**

CHK'D

DATE: JAN 12, 2018